

ADDRESSABLE RELAY MODULE

MODEL: AS-801-RM



ASES Addressable Single Relay Module work in two-wire mode. In two-wire mode, on receiving the start command from the fire alarm control panel (FACP), it will close the output relay to output a normally open / normally close contact signal and illuminate the Active indicator.

Description

ASES Relay Module provides a Form "COM" dry relay contact to control external appliances such as door closers, exhaust fans, fire dampers etc. This device does not provide supervision of the state of the relay contact. Instead, the onboard microprocessor ensures that the relay is in the proper ON/OFF state. ASES Relay Module activates the normally open or normally closed contact.

Features

- Two-wire modes can be programmed through the DIP Switches.
- Electronic address can be modified in the field.
- Built-in MCU processes messages intelligently.
- Fault and action indicators available.
- Plug-in structure.
- Strong environmental adaptability.
- Self-diagnostic.
- Removable innovative card, easy to maintain.
- LED colour Green blink for normal case & In Fire case view the LED in solid RED.

Approvals:



Application

- The module connects with fire control devices such as lifts and fire doors which are activated by FACP.
- The address and working mode of the module can be programmable by an ASES programmer in the field.

Warning:

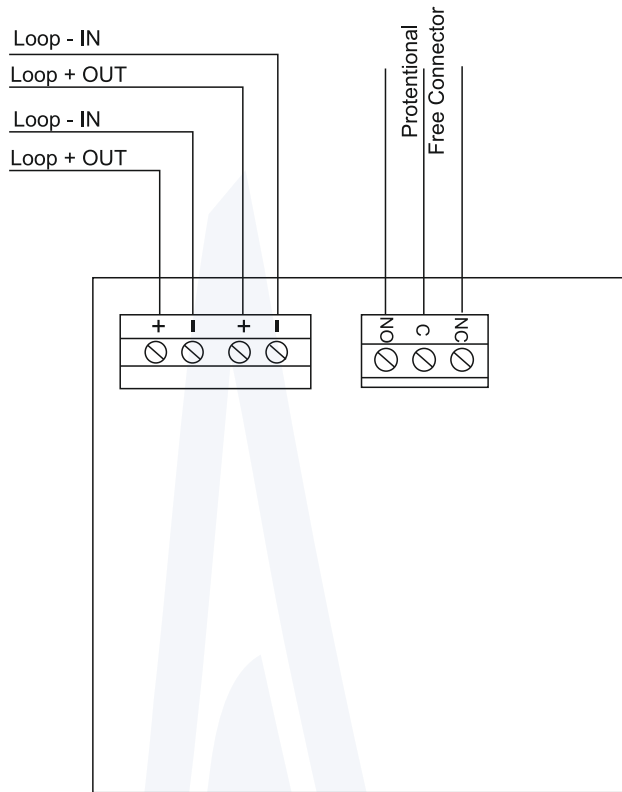
Please do not connect the contact to AC control loop directly to avoid the module or controlled devices being damaged by strong AC interference.

Recommended Cabling

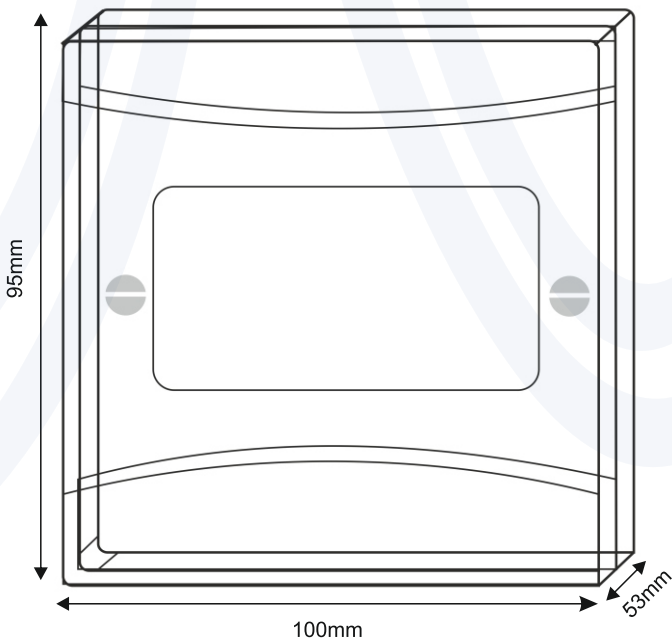
1.5 Sqmm or above fire cable is recommended, laid through metal or flame-retardant conduit, but subject to local codes. Note: Different color cables are used to avoid wiring mistakes.

Technical Specification

Operating Loop Voltage	22 -24 Vdc
Standby Current	2.2 mA
Alarm Current	9 mA.
Output Relay Rating	24Vdc@7A/230Vac@7A
Output Control Type	Three-wire mode: Relay normally open normally closed & Common potential free contact output.
Programming Method	Electronically addressed
Storage Temperature	-10°C to +70°C
Operating Temperature	-10°C to +60°C
Relative Humidity	5%-95% Rh.
Material of Enclosure	ABS
Dimension (W×H×D)	95 x 100 x 53 MM (Approx)
Weight	153 g. (Approx)



Machanical Description:



Limited Warranty:

ASES warrants that the product will be free of charge for repairing or replacing from defects in design, materials and workmanship during the warranty period. This warranty does not cover any product that is found to have been improperly installed or used in any way not in accordance with the instructions supplied with the product. Anybody, including the agents, distributors or employees, is not in the position to amend the contents of this warranty. Please contact your local distributor for products not covered by this warranty.